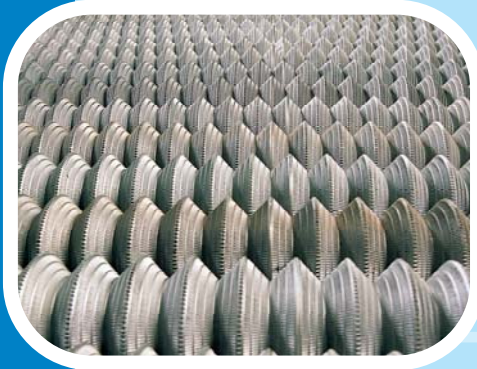


DYNASCREEN

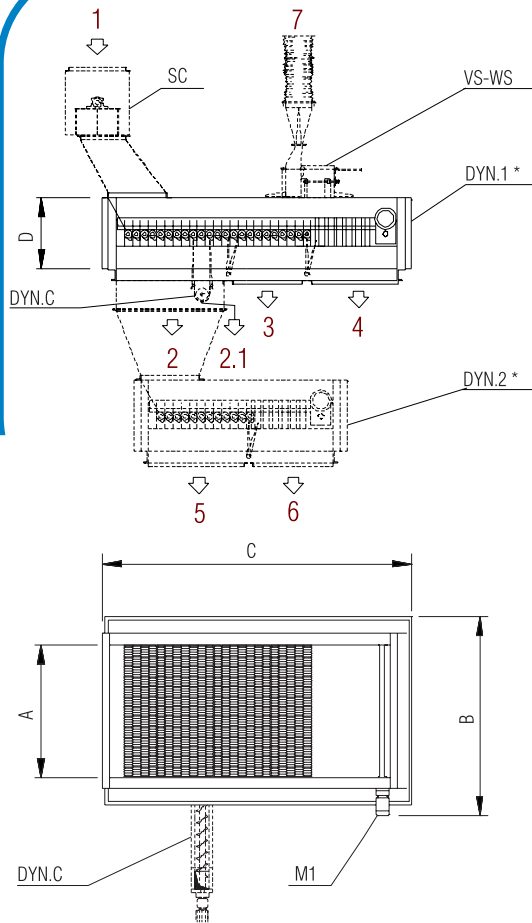
ROLL SCREEN FOR CHIPS, SAWDUST, SHAVINGS, PARTICLES

IT PATENT 01290732
EU PATENT 1007227
USA PATENT 6,234,322
CDN PATENT 2,284,135



PAL

TECHNICAL INFORMATION

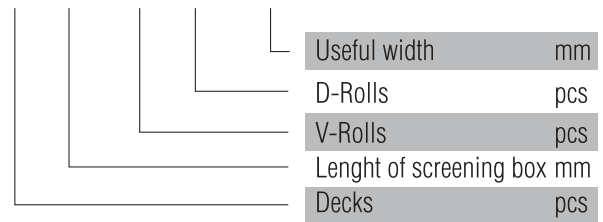


G:\ARCHIV\1230022.DWG

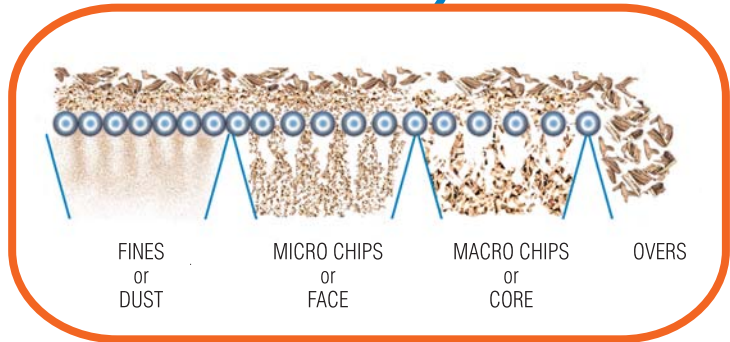
* Single or double screening deck/s according to material throughput and needed fractions.

READING KEY

DYN.1-6000(40V.8D)-2200



Pls select your machine. All layouts available at any time.



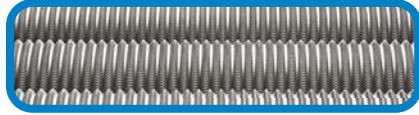
- SC = Dosing screw conveyor
- DYN.1 = 1-Deck Dynascreen
- DYN.2 = 2-Decks Dynascreen
- VS/WS = Dynasifter (Option)
- DYN.C = Dynacleaner (Option)
- 1 = Feeding
- 2...6 = Accepted fractions
- 2.1 = Fraction with heavy pollutants
- 7 = Paper & plastic foils

MODEL	OVERALL DIMENSIONS mm				CAPACITY m ³ /h	INSTALLED POWER kW	WEIGHT kg
	A	B	C	D			
DYN.-2000-1000	1000	2000	2000	1050	According to type of material and number of rolls	M1	According to number of rolls
DYN.-2500-1000	1000	2000	2500	1050		3,0	
DYN.-3200-1000	1000	2000	3200	1050		4,0	
DYN.-4000-1000	1000	2000	4000	1050		4,0	
DYN.-4500-1000	1000	2000	4500	1050		5,5	
DYN.-5000-1000	1000	2000	5000	1050		5,5	
DYN.-5500-1000	1000	2000	5500	1050		7,5	
DYN.-2000-2200	2200	3200	2000	1050		7,5	
DYN.-2500-2200	2200	3200	2500	1050		3,0	
DYN.-3200-2200	2200	3200	3200	1050		4,0	
DYN.-4000-2200	2200	3200	4000	1050		4,0	
DYN.-4500-2200	2200	3200	4500	1050		5,5	
DYN.-5000-2200	2200	3200	5000	1050		5,5	
DYN.-5500-2200	2200	3200	5500	1050		7,5	
DYN.-6000-2200	2200	3200	6000	1050		7,5	
DYN.-7000-2200	2200	3200	7000	1050		7,5	
DYN.-8000-2200	2200	3200	8000	1050	7,5		
DYN.-9000-2200	2200	3200	9000	1050	7,5		

Not binding data. We reserve the right of modification at any time without prior notice.

TYPICAL ROLL PROFILES

W-ROLLS



Screening of very fine & dusty material

V-ROLLS



Screening of micro-chips and flakes

D-ROLLS



Removal of oversize from chips

TECHNICAL FEATURES

DYNASCREEN

- Feeding conveyor for distribution across
- W-Rolls to remove very fine and dusty material
- V-Rolls to remove flakes and micro chips
- D-Rolls to remove oversize pieces
- Chrome plating or nitriding of W & V profiles
- Two side bearings and transmissions
- Devices for setting gaps easily and freely
- Single or double screening deck/s
- Discharge flap for each fraction, to be freely positioned
- Separation from 2 to 5-6 fractions

DYNASIFTER VS/WS (Option)

- Integrated suction unit to remove dust, fiber, paper and plastic foils, etc.
- VS system for intermediate suction
- WS system for final suction
- Devices for free setting of suction speed

DYNACLEANER DYN.C (Option)

- Integrated system for removal of a minor fraction highly contaminated from heavy pollutants
- Specialized shape of roll profile
- Extracting screw conveyor for the polluted fraction
- Patented

BENEFITS

- Zigzag channeling effect from interlocking W & V rolls :
 - Aligns the flow along the W & V gaps
 - Improves particle vibration and screening efficiency
- W & V roll profiles :
 - Ensures better calibration of particle thickness
 - Ensures better calibration of particle length
- VS & WS Dynasifter :
 - Easy application any time
 - Excellent dedusting and removal of light pollutants such as fiber, paper and plastic foils, etc.
- All gaps and discharge flaps freely adjustable :
 - Enables easy changing of fraction size
 - Enables easy variation of number of fractions
- Absolutely free from plugging and/or blockages
- Very easy setting of screening parameters
- High efficiency and reliability
- Low maintenance

EXCELLENT RESULTS

SAWDUST FROM **DYNASCREEN**



Fines



Oversize

RECYCLED CHIPS FROM **DYNASCREEN**



Dust



Fines



Micro-chips



Macro-chips



Oversize

FROM **DYNASIFTER**



Light pollutants

PAL

Pal s.r.l. Via delle Industrie, 6/B
I-31047 Ponte di Piave (TV) - ITALY
Phone: +39.0422.852 300 Fax: +39.0422.853 444
info@pal.it - www.pal.it